



$$\text{Duty Cycle} = \frac{\text{"on" time}}{\text{"on" time} + \text{"off" time}} \times 100\% \quad 50\% \text{ ED}$$

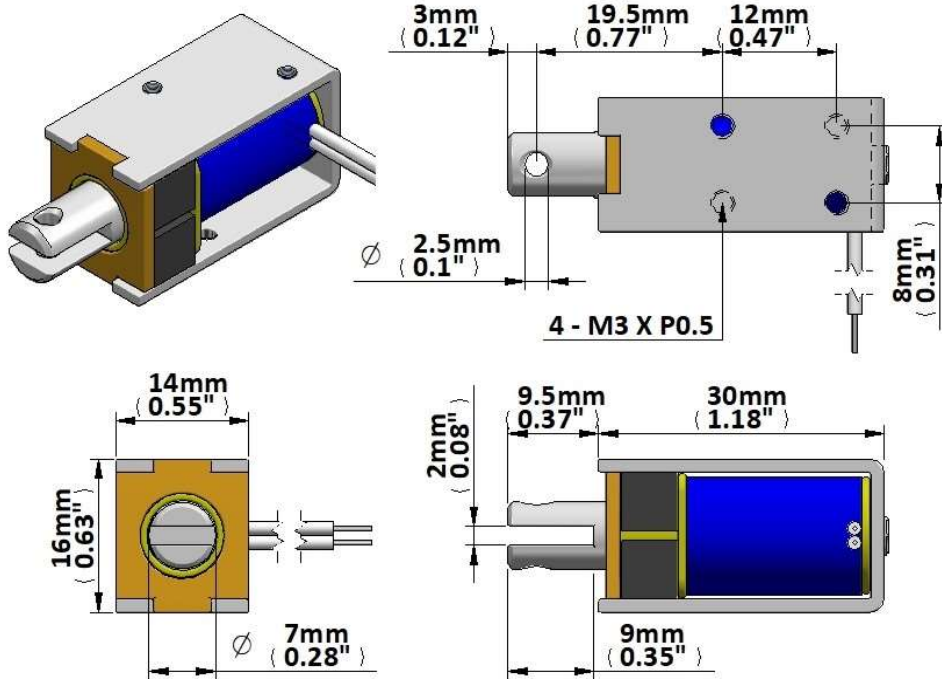
Coil Data

Maximum "on" time in seconds	10
Watts at 20°C	4.8
Ampere-Turns at 20°C	360

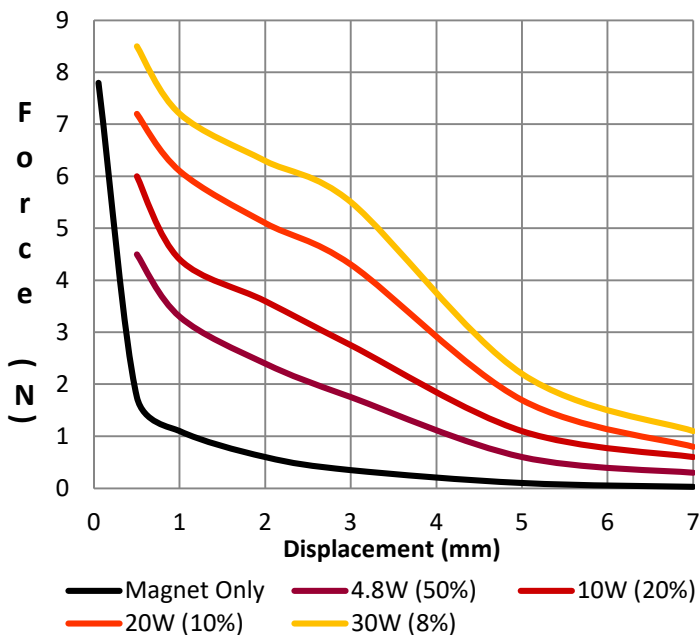
P/N	Resistance ±10% @ 20°C	Coil Turns	Volts DC	Release Current
T1L-0730-6v	7.5 Ω	450	6	800 mA
T1L-0730-12v	30.0 Ω	880	12	400 mA
T1L-0730-24v	120.0 Ω	1860	24	200 mA

General Parameters

Life Expectancy (Cycles)	200,000
Mass	58 grammes
Plunger Mass	10.0 grammes
Leadwires 200mm (7.87")min, UL1007, AWG26	
Insulation Class	A (105°C)
Dielectric Strength 1000V AC, 50/60Hz, 1min	
Insulation Res >50MΩ, 500V DC Megger	



Force (N) vs Displacement (mm)



Release Characteristic @ 0mm

