



GEEPLUS

VM102P2

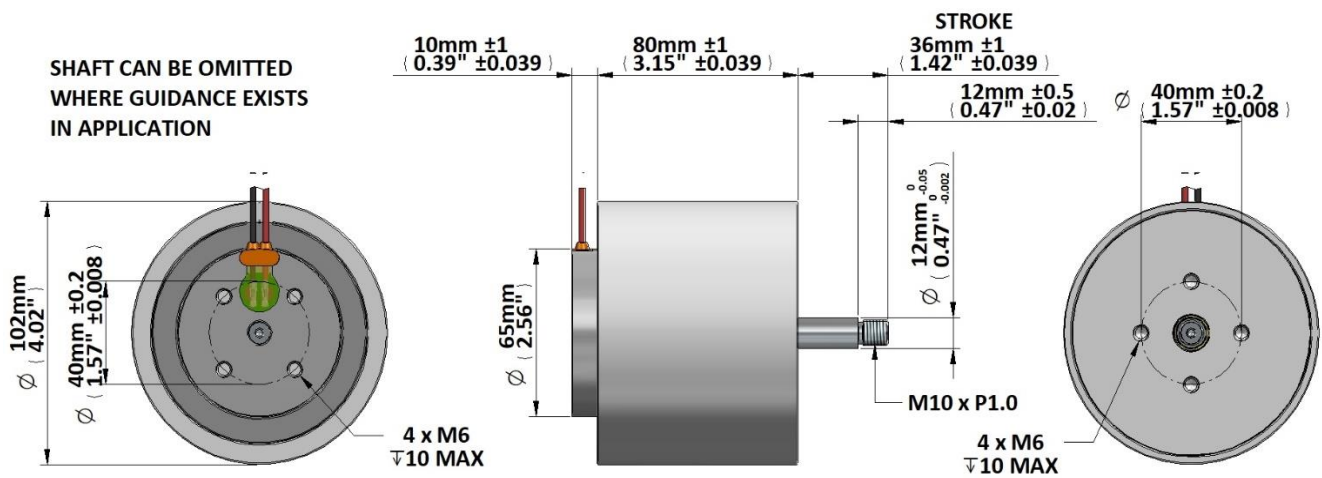
P_{100} is the continuous (100% ED) excitation power at which the coil attains temperature T_{max} with the part mounted to a massive heatsink at 20°C

P_{100} 105 W
 T_{max} 130 °C

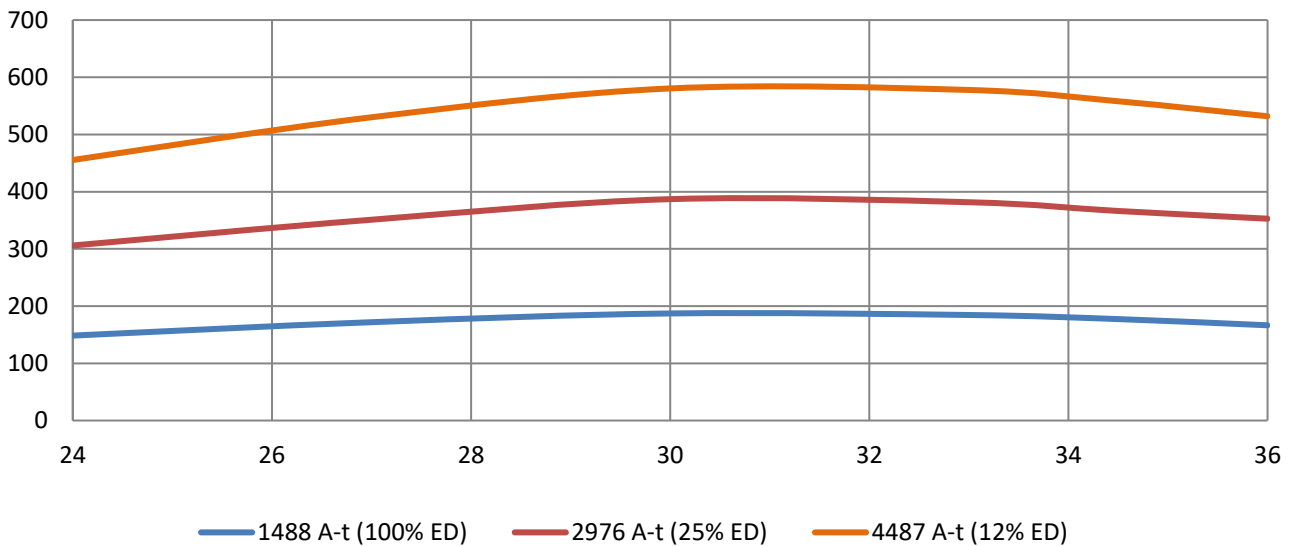
Total Mass 4200 g
 Coil Mass 430 g

Model No.	Resistance R_{20}	Inductance	Force Constant	Velocity Constant	Current I_{100}
VM102P2-710	2.1 Ω	0.6 mH	31 N/A	31 Vs/m	6.0 A
VM102P2-475	10.5 Ω	3.0 mH	70 N/A	70 Vs/m	2.7 A
VM102P2-355	33.4 Ω	9.5 mH	124 N/A	124 Vs/m	1.5 A

	Max 'ON' time	Peak Force
100% ED	∞	187.2 N
50% ED	100 s	267.3 N
25% ED	35 s	387.0 N
10% ED	12 s	580.5 N



Force (N) vs Displacement (mm)



Geeplus reserves the right to change specifications without notice

www.geeplus.com